

DRAWING NUMBER
53/123

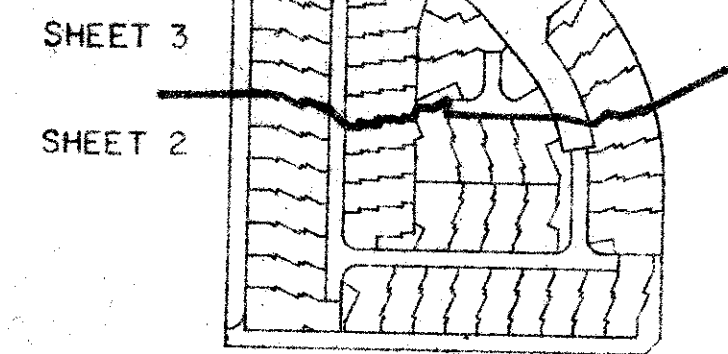
123

CRYSTAL POINTE PLAT TWO

PART OF CRYSTAL POINTE P.U.D.
SITUATE IN SECTION 29, TOWNSHIP 41 SOUTH, RANGE 43 EAST
PALM BEACH COUNTY, FLORIDA

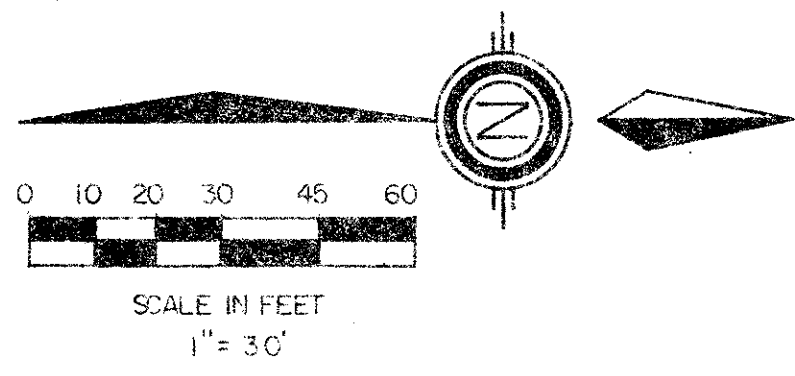
SHEET 3 OF 3

STATE OF FLORIDA
COUNTY OF PALM BEACH
THIS PLAT WAS FILED FOR
RECORD _____ DAY OF _____
AD, 1986 AND DULY RECORDED
IN PLAT BOOK _____ ON PAGES
_____ AND _____
JOHN B. DUNKLE, CLERK
BY: _____, D.C.



UNPLATTED

CRYSTAL POINTE PLAT ONE
P.B. _____, PG. _____

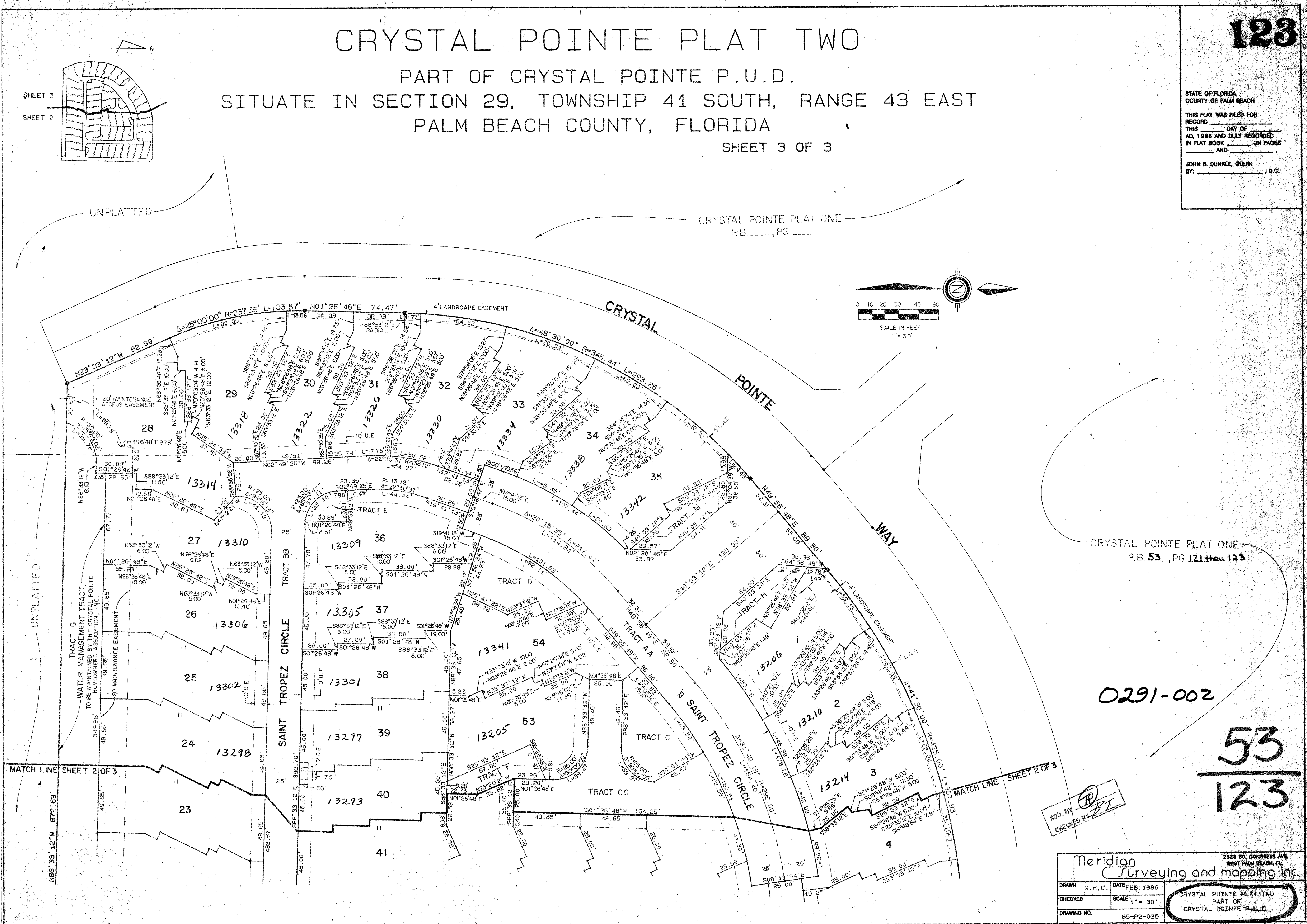


DRAWING NUMBER

DRAWING NUMBER

DRAWING NUMBER

PLAN HOLD CORPORATION - PALM BEACH, CALIFORNIA
REGISTERED NUMBER 07546



CRYSTAL POINTE PLAT ONE
P.B. 53, PG. 121 thru 123

0291-002

53
123

ADD. BY
CHECKED BY *BT*

Meridian
Surveying and mapping inc.

2328 SO. CONGRESS AVE.
WEST PALM BEACH, FL.

DRAWN	M.H.C.	DATE	FEB. 1986
CHECKED		SCALE	1" = 30'
DRAWING NO.	85-P2-035	CRYSTAL POINTE PLAT TWO PART OF CRYSTAL POINTE P.U.D.	